

# GSL60, GSL80 Sub-Prime® Electric Submersible Sludge Pumps

The line of Godwin Sub-Prime GSL electric submersible pumps is designed for large sludge or dewatering applications. The GSL60 model is capable of maximum flow rates from 127 to 214 gpm (8.02 to 13.5 l/sec) and discharge heads to 82 feet (25M). The GSL80 model is capable of maximum flow rates from 84 to 555 gpm (5.3 to 35.0 l/sec) and discharge heads to 154 feet (47M). Like the dewatering models in the Sub-Prime line, these submersible sludge pumps are suited to tough construction, mining and industrial applications. The design features a side discharge that handles solids up to 3.2" (81mm) in diameter\* and rugged construction for long life, including a cast chromium steel impeller and heavy duty polyurethane-lined volute. Other benefits include tandem mechanical seals for dry running and extra protection against leakage, and a dual voltage junction chamber for convenient changeover in the field.\*



## Features

- Side discharge design handles maximum solid sizes from 1.3" to 3.2" (33mm to 81mm) in diameter
- Oversized power cable
- Dual voltage and dual phase motor
- High performance submersible motor
- Oversized, heavy duty ball bearings
- Tandem mechanical seals – primary seal is Silicon Carbide on Silicon Carbide
- Cast Chromium Steel vortex impeller and heavy duty replaceable polyurethane-lined volute
- Lightweight construction comprised of cast aluminum and corrosion resistant stainless steel
- Dry running capabilities
- Optional manual and automatic control panels available

## Specifications

	Model	
	GSL60 Single Phase	GSL80 Three Phase
<i>HP (kW)</i>	6.0 (4.5)	8.0 (6.0)
<i>Max. GPM (l/sec.)</i>	HH 127 (8.02) HV 214 (13.5)	HH 84 (5.3) HV 254 (16) SV 555 (3.5)
<i>Max. Head</i>	HH 82' (25) HV 58' (17.6)	HH 154' (47M) HV 82' (25M) SV 38' (11.5M)
<i>Discharge (Std.) (Optional)</i>	3" (75mm) –	4" (100mm) 3" (75mm)
<i>Cable</i>	65' (20M)	65' (20M)
<i>RPM</i>	HH/HV 3400	HH/HV 3400 SV 1700
<i>Max. Temp.</i>	103°F (40°C)	103°F (40°C)
<i>PH Range</i>	5.0-8.0	5.0-8.0
<i>Voltage</i>	230	230/460
<i>Amps</i>	HH 25 HV 25	HH 22/11 HV 21/10 SV 19/9.4
<i>Weight - lbs. (kg.)</i>	129 (58.6)	129 (58.6)
<i>Solids Handling</i>	HH 1.3" (33mm) HV 2" (50mm)	HH 1.3" (33mm) HV 2" (50mm) SV 3.2" (81mm)

\* Model GSL80

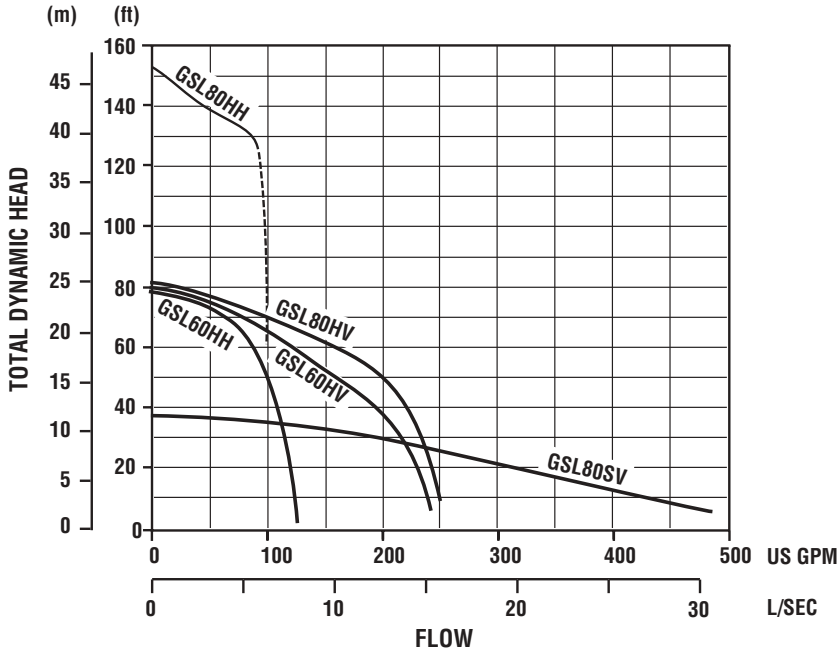
HV = High Volume

HH = High Head

SV = Super High Volume

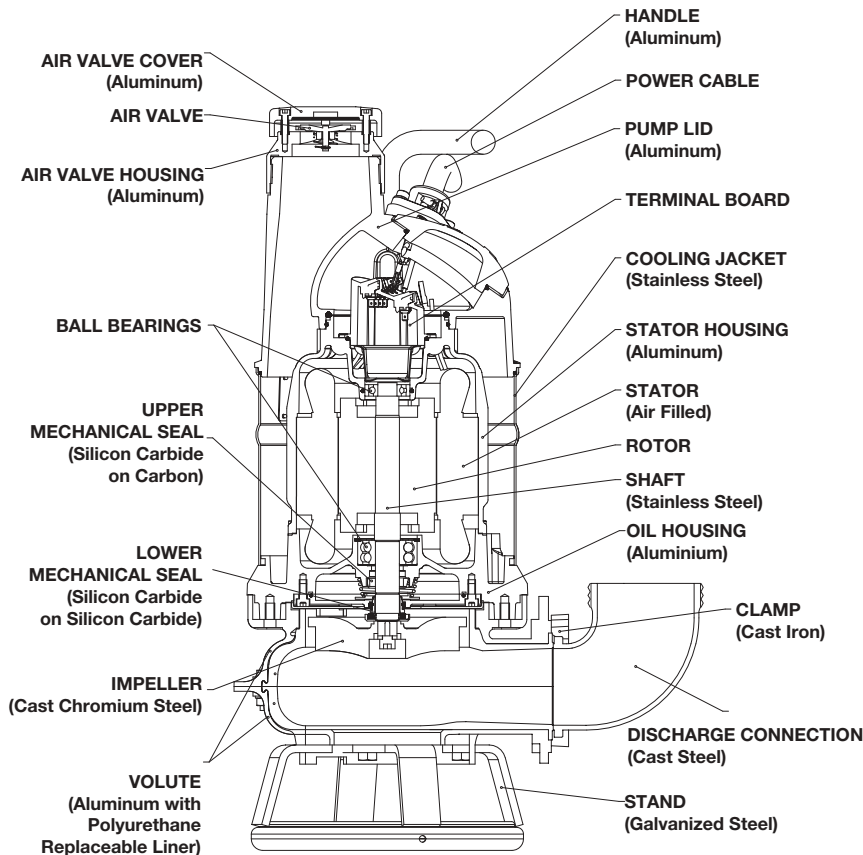


# GSL60, GSL80 Sub-Prime® Performance Curves

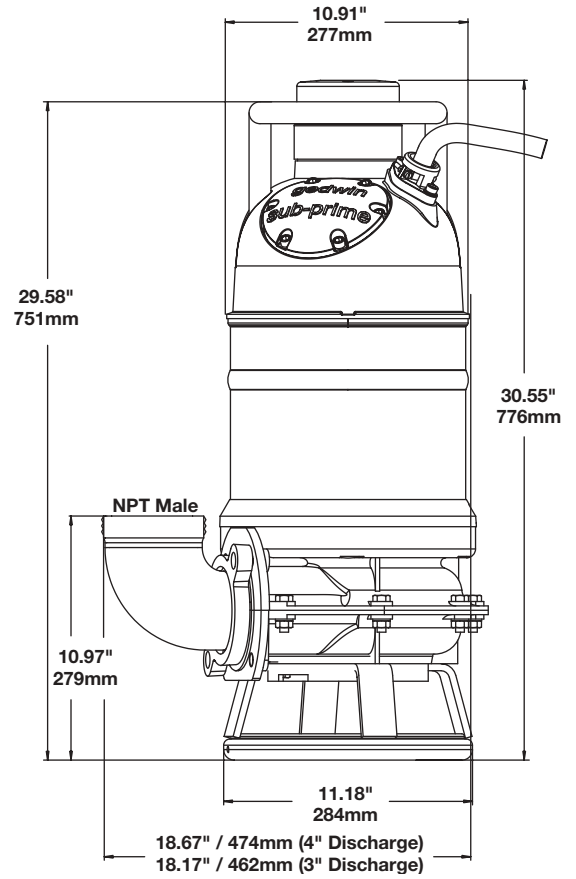


**WARNING:** Pumps are not designed for use in explosive atmosphere, flammable environments or for pumping volatile liquids.

## Design & Construction



## Dimensions



godwin  
pumps

One Floodgate Road, Bridgeport, NJ 08014, USA  
(856) 467-3636 • Fax: (856) 467-4841

Quenington, Cirencester, Glos., GL7 5BX, UK  
+44 (0)1285-750271 • Fax: +44 (0)1285-750352

E-mail: sales@godwinpumps.com

www.godwinpumps.com

### BRANCH LOCATIONS:

Connecticut • Pennsylvania • New York • Ohio  
Illinois • Maryland • Virginia • West Virginia  
North Carolina • South Carolina • Georgia  
Florida • Texas • Montana • California • Washington

Sub-Prime® and the color orange for pumps are registered trademarks of Godwin Pumps of America, Inc. Specifications and illustrations are subject to revision without notice.  
© Copyright 2003-2005 Godwin Pumps of America, Inc. All rights reserved.