

# GSP900 Sub-Prime® Electric Submersible Dewatering Pumps

The line of Godwin Sub-Prime® GSP electric submersible pumps is designed for large dewatering applications requiring high head or high volume. Specifically, the GSP900 is capable of flow rates to 5,072 gpm (320 l/sec.) and discharge heads to 361 feet (110M). Like the small dewatering and trash handling models in the Sub-Prime line, these large dewatering submersible pumps are suited to tough construction, mining and industrial applications. They feature a slim-line design ideal for fitting into confined spaces and rugged construction for longer life, specifically a cast chromium steel impeller and heavy duty polyurethane coated adjustable wear parts. The GSP900 also features oil bath tandem mechanical seals for dry running and extra protection against leakage.



## Features

- Convenient top discharge
- Compact slim-line design
- Oversized power cable
- High performance submersible motor
- Oversized, heavy duty ball bearings
- Oil bath tandem mechanical seals – Tungsten Carbide on Tungsten Carbide primary seal
- Cast Chromium Steel impeller and heavy duty polyurethane coated adjustable wearparts
- Lightweight aluminum and corrosion resistant stainless steel cooling jacket
- Dry running capabilities
- Optional manual and automatic control panels available

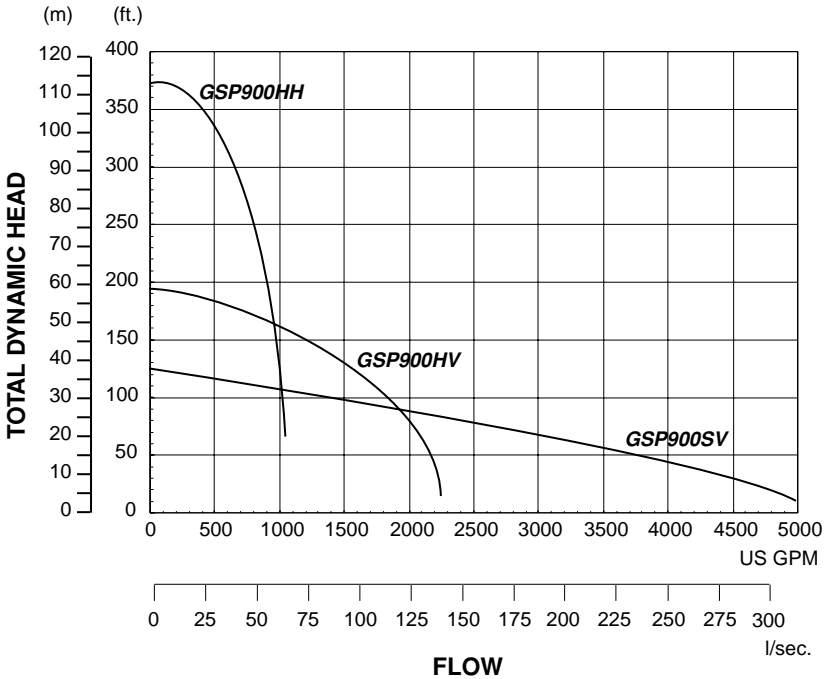
## Specifications Three-Phase Models

	HV	Model HH	SV
<i>HP (kW)</i>	90.0 (67.1)	90.0 (67.1)	90.0 (67.1)
<i>Max. Flow</i>	2,220 gpm 140 l/sec.	1,060 gpm 67 l/sec.	5,072 gpm 320 l/sec.
<i>Max. Head</i>	190' 58M	361' 110M	121' 37M
<i>Discharge</i>	8" (200mm)	6" (150mm)	10" (250mm)
<i>Cable</i>	65' (20M)	65' (20M)	65' (20M)
<i>RPM</i>	1750	3500	1750
<i>Max. Temp.</i>	103°F (40°C)	103°F (40°C)	103°F (40°C)
<i>PH Range</i>	5.0-8.0	5.0-8.0	5.0-8.0
<i>Voltage</i>	460	460	460
<i>Phase</i>	3	3	3
<i>Amps</i>	93	93	93
<i>Hertz</i>	60	60	60
<i>Weight</i>	1,190 lbs. 540 kg.	1,190 lbs. 540 kg.	1,190 lbs. 540 kg.

HV = High Volume  
HH = High Head  
SV = Super High Volume

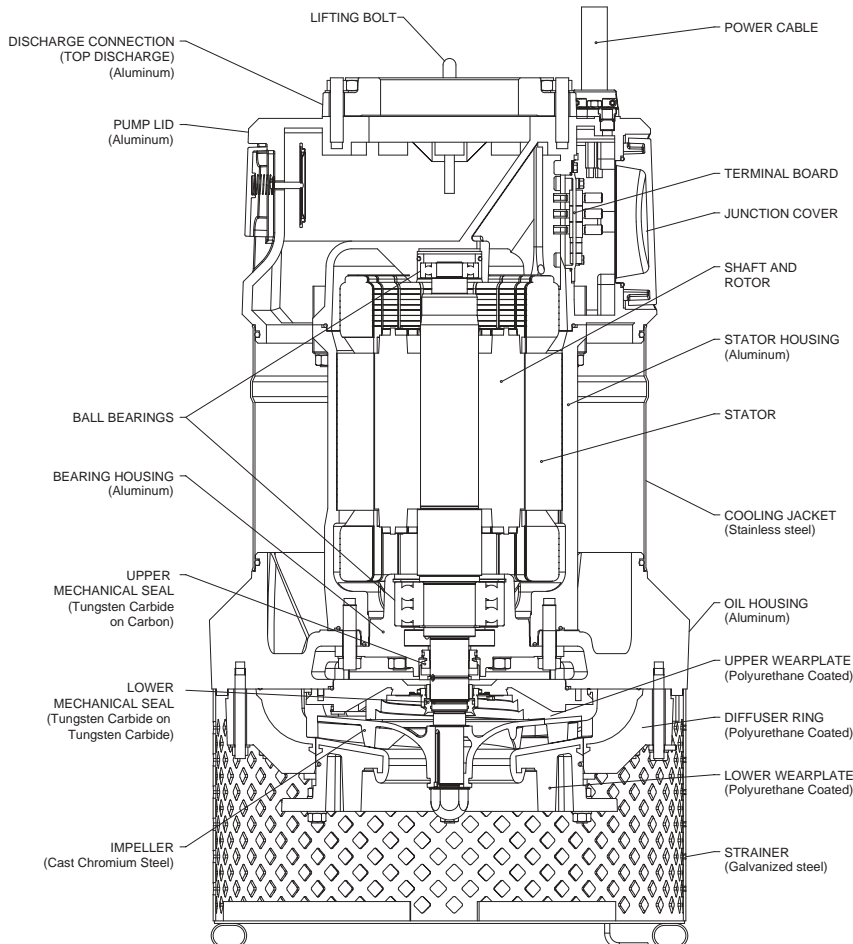


# GSP900 Sub-Prime® Performance Curves

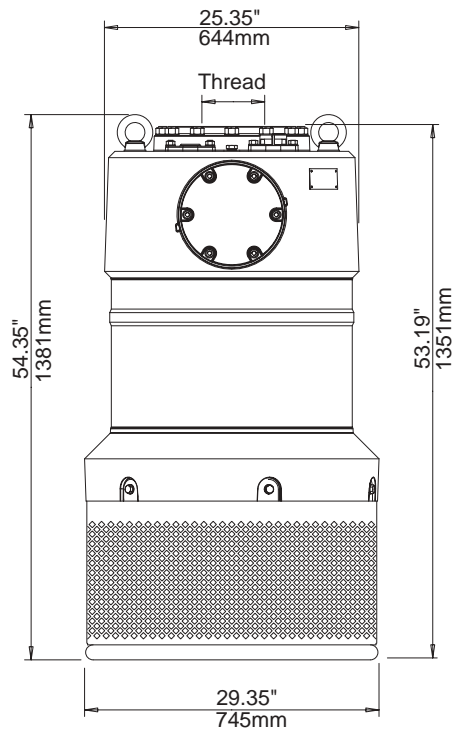


**WARNING:** Pumps are not designed for use in explosive atmosphere, flammable environments or for pumping volatile liquids.

## Design & Construction



## Dimensions



Discharge	HV	HH	SV
Female Thread	8" 200mm	6" 150mm	10" 250mm

godwin  
pumps

One Floodgate Road, Bridgeport, NJ 08014, USA  
(856) 467-3636 • Fax: (856) 467-4841

Quenington, Cirencester, Glos., GL7 5BX, UK  
+44 (0)1285-750271 • Fax: +44 (0)1285-750352

E-mail: sales@godwinpumps.com

www.godwinpumps.com

### BRANCH LOCATIONS:

Connecticut • Pennsylvania • New York • Ohio  
Illinois • Maryland • Virginia • West Virginia  
North Carolina • South Carolina • Georgia  
Florida • Texas • Montana • California • Washington

Sub-Prime® and the color orange for pumps are registered trademarks of Godwin Pumps of America, Inc. Specifications and illustrations are subject to revision without notice.

© Copyright 2003-2005 Godwin Pumps of America, Inc. All rights reserved.

GPASL.091.505