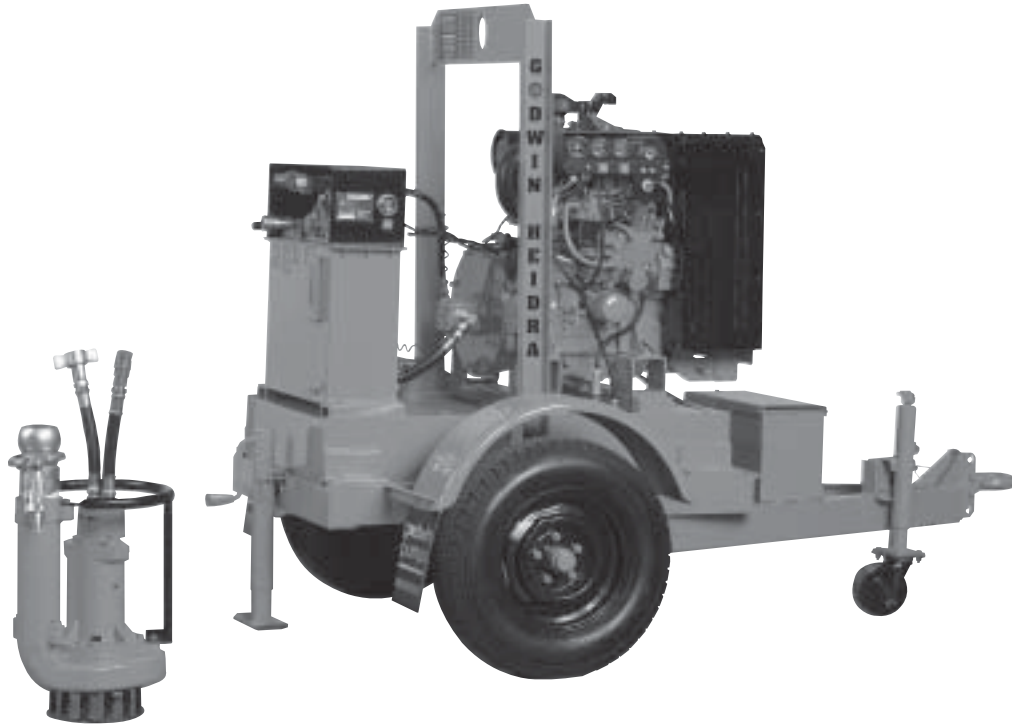


# Heidra<sup>®</sup> 80 Hydraulic Submersible Pumps

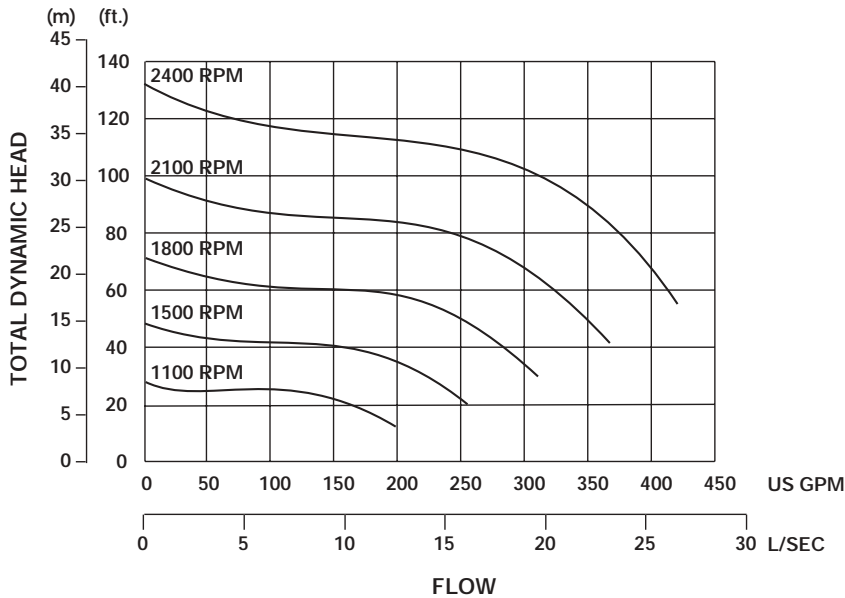


The Godwin 3" (75mm) Heidra 80 hydraulic submersible pump is a compact self-contained pumping unit featuring a diesel driven power pack and 3" (75mm) submersible hydraulic pump. With variable speed diesel engine power, the Heidra 80 can meet a variety of flow and head requirements up to 420 gpm (26.5 l/sec.) and 125' (38.1M) of total dynamic head with a simple throttle adjustment. Add the ability to pass solids to 1-9/16" (40mm) in diameter, dry running capabilities, a cast chromium steel impeller, and you have a rugged dewatering/solids-handling, hydraulic submersible pump ready to go anywhere.

## Features

- Rugged construction featuring cast iron pumping chamber and cast chromium steel impeller.
- The pump has independent bearings from the hydraulic gear motor, therefore pump loads in no way affect the gear motor performance.
- Mechanical seal in its own clean oil bath allows for indefinite dry running. Seal faces are solid silicone carbide.
- Standard impeller is designed for general pumping, slurries and sludges.
- Gear motor connections are standard two-bolt SAE flange.
- For ease of maintenance, the gear motor has a "plug-in" connection to allow for quick changeover when required.

# Heidra 80 Performance Curve

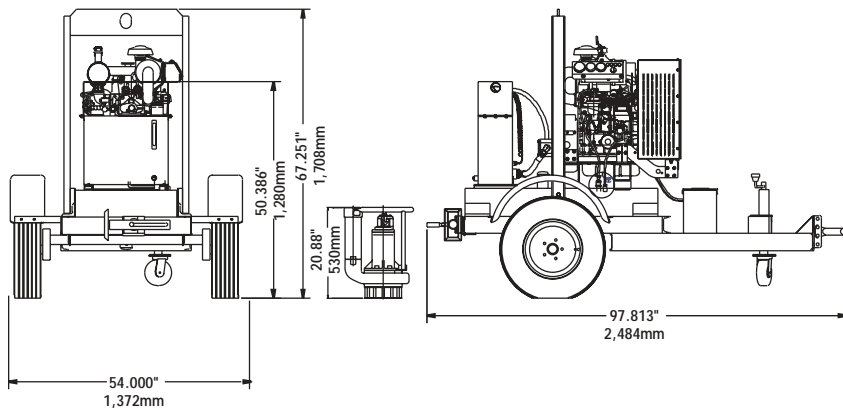


Performance data listed in table and curves based on water tests at sea level and 68° F (20° C). Larger diameter pipes may be required for maximum flows.

## Dimensions

**Weights** (approx.)

Pump: 100 lbs. (45 kg.), Power Pack: 1,230 lbs. (558 kg.)



## Materials

**Pump Casing and Suction Cover:**

Cast Iron

**Front & Rear Wearplates:**

Nitride Hardened Cast Iron to 600 Brinnell Hardness

**Pump Shaft:**

Mild Steel

**Impeller:**

Cast Steel

**Bearing & Seal Housing:**

Cast Iron

**Mechanical Seal:**

Single mechanical seal in oil bath with solid silicone carbide faces

**Lifting Bracket:**

Fabricated Mild Steel tube & plate

# Specifications

## Submersible Pump:

Hydraulic Motor: Gear Type

Drive Pressures: 2800 psi (193 BAR)

Flow: 10.5 gpm (.66 l/sec.)

Pump Speed: Up to 3000 RPM

Impeller Diameter: 6.54" (116mm)

Solids Handling: 1-9/16" (40mm), max.

Discharge: 3" (75mm) Female NPT

Hydraulic Discharge Connection:

Supplied with two 3/4" x 50 ft. (19mm x 15.24 meter) high pressure hoses

Strainer: Nylon coated steel with 1.75" (44mm) square apertures

## Power Pack:

Engine: John Deere 3009,

16 hp (12 Kw) @ 2400 RPM

Caterpillar 3003

15 hp (11 Kw) @ 2400 RPM

Hydraulic System: Two pipe open circuit

Hydraulic Reservoir:

10 gallon (37.9 liter) capacity

Control: Through variable engine speed

Hydraulic Pump: Gear type

Output Flow:

10.5 gpm (.66 l/sec.) @ 2400 RPM

Output pressure:

Up to 2800 psi (193 BAR)

Suction Filter: 125 micron pleated gauze

Return Line Filter: 10 micron

Hydraulic Pipe Connections: 3/4" (19mm)

Quick Disconnect

godwin  
pumps

One Floodgate Road, Bridgeport, NJ 08014, USA  
(856) 467-3636 • Fax: (856) 467-4841

Quenington, Cirencester, Glos., GL7 5BX, UK  
+44 (0)1285 750271 • Fax: +44 (0)1285 750352

E-mail: sales@godwinpumps.com

www.godwinpumps.com

## BRANCH LOCATIONS:

Norwich, CT • Buffalo, NY • Chicago, IL • Pittsburgh, PA  
Washington, DC • Richmond, VA • Virginia Beach, VA  
Charleston, WV • Raleigh, NC • Charlotte, NC  
N. Charleston, SC • Atlanta, GA • Houston, TX  
San Antonio, TX • Helena, MT • Los Angeles, CA

Heidra® and the color orange for pumps are registered trademarks of Godwin Pumps of America, Inc. Specifications and illustrations are subject to revision without notice.

© Copyright 2003 Godwin Pumps of America, Inc.

GPASL.065.303